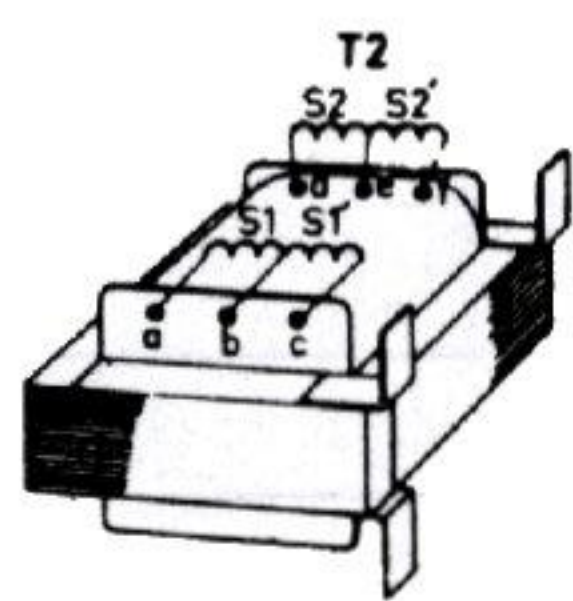
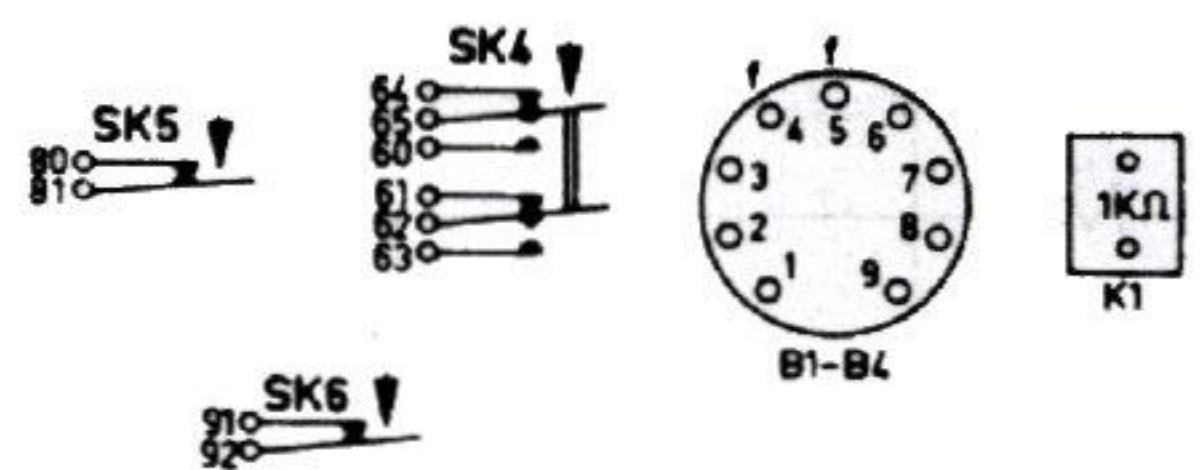
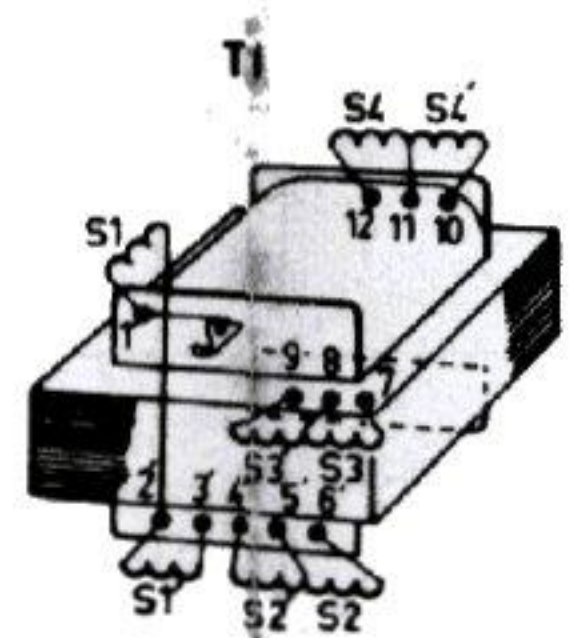
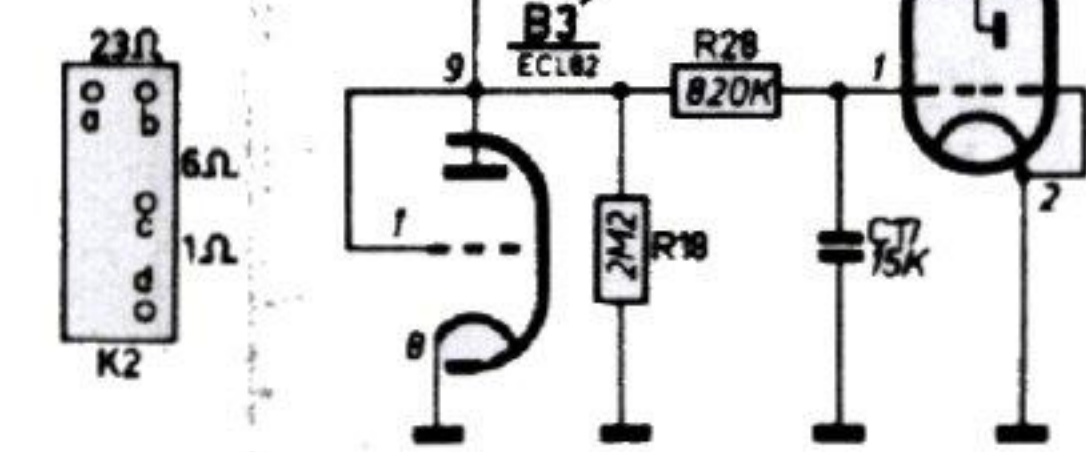


DRAWN IN POSITION
STOP

STOP	0	0	19cm/s 1 1/2"
q	▼	0	9.5cm/s 3 1/4"
h	0	▼	4.75cm/s 1 1/2"
	SK2	SK3	SK1



	S1	S1'	S2	S2'
W	89	192	3100	238
Ω	0.62	37.5	77.2	



	S1	S1'	S2	S2'	S3	S3'	S4	S4'
V	110	14.5	110	14.5	280	280	3.75	3.75
Ω	4.0		4.3		990		0.27	

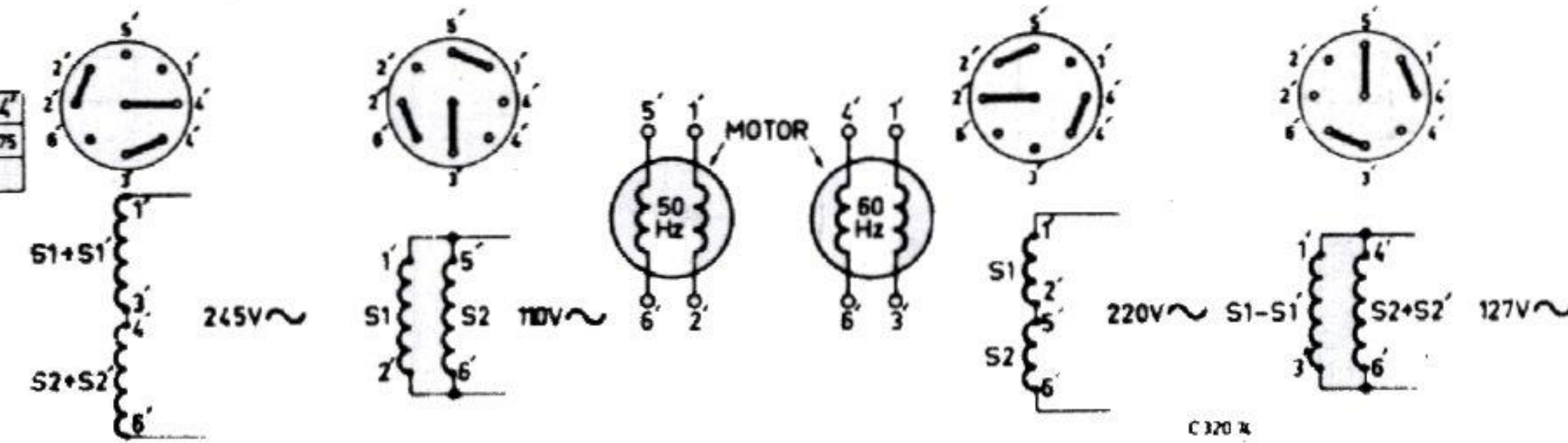


TAVOLA II — Schema del magnetofono Philips mod. EL 3516.